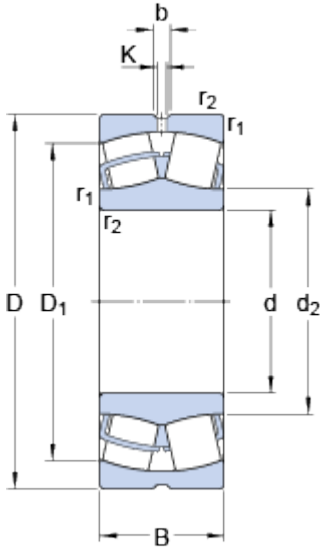


# 22210 E

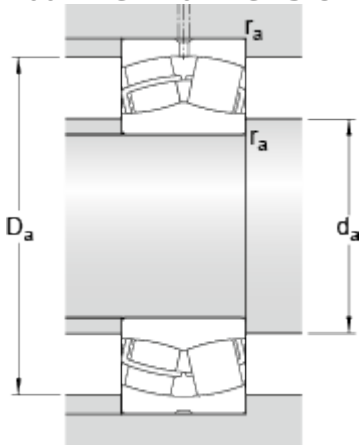
SKF Explorer

## Dimensions



d		50	mm
D		90	mm
B		23	mm
d <sub>2</sub>	≈	60	mm
D <sub>1</sub>	≈	79	mm
b		5.5	mm
K		3	mm
r <sub>1,2</sub>	min.	1.1	mm

## Abutment dimensions



d <sub>a</sub>	min.	57	mm
D <sub>a</sub>	max.	83	mm
r <sub>a</sub>	max.	1	mm

## Calculation data

Basic dynamic load rating	C	107	kN
Basic static load rating	C	108	kN
Fatigue load limit	P <sub>u</sub>	11.8	kN
Reference speed		7000	r/min
Limiting speed		9500	r/min
Calculation factor	e	0.24	
Calculation factor	Y <sub>1</sub>	2.8	
Calculation factor	Y <sub>2</sub>	4.2	
Calculation factor	Y	2.8	

## Mass

Mass bearing		0.63	kg
--------------	--	------	----

