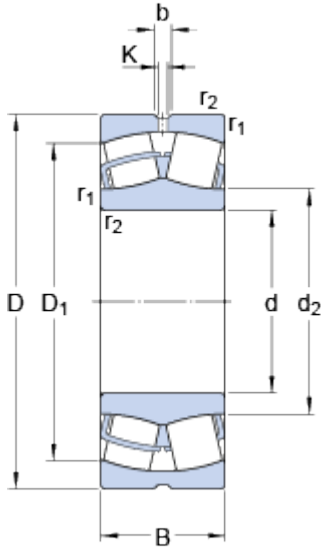


22209 E

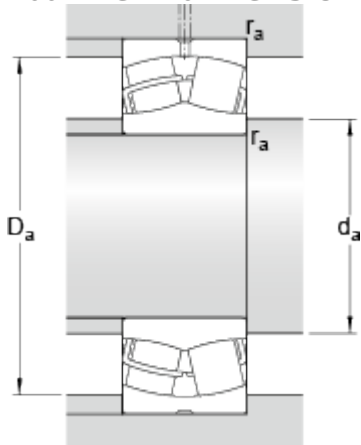
SKF Explorer

Dimensions



d		45	mm
D		85	mm
B		23	mm
d ₂	≈	54.4	mm
D ₁	≈	74.4	mm
b		5.5	mm
K		3	mm
r _{1,2}	min.	1.1	mm

Abutment dimensions



d _a	min.	52	mm
D _a	max.	78	mm
r _a	max.	1	mm

Calculation data

Basic dynamic load rating	C	104	kN
Basic static load rating	C	98	kN
Fatigue load limit	P _u	10.8	kN
Reference speed		7500	r/min
Limiting speed		10000	r/min
Calculation factor	e	0.26	
Calculation factor	Y ₁	2.6	
Calculation factor	Y ₂	3.9	
Calculation factor	Y	2.5	

Mass

Mass bearing		0.58	kg
--------------	--	------	----

