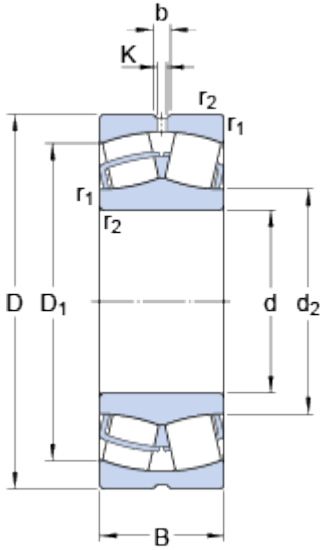


22207 E

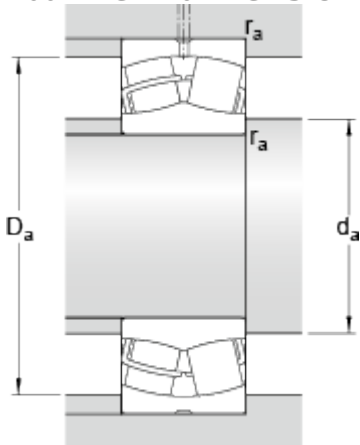
SKF Explorer

Dimensions



d		35	mm
D		72	mm
B		23	mm
d ₂	≈	44.5	mm
D ₁	≈	61.8	mm
b		3.7	mm
K		2	mm
r _{1,2}	min.	1.1	mm

Abutment dimensions



d _a	min.	42	mm
D _a	max.	65	mm
r _a	max.	1	mm

Calculation data

Basic dynamic load rating	C	88.8	kN
Basic static load rating	C	85	kN
Fatigue load limit	P _u	9.3	kN
Reference speed		9000	r/min
Limiting speed		12000	r/min
Calculation factor	e	0.31	
Calculation factor	Y ₁	2.2	
Calculation factor	Y ₂	3.3	
Calculation factor	Y	2.2	

Mass

Mass bearing		0.45	kg
--------------	--	------	----

