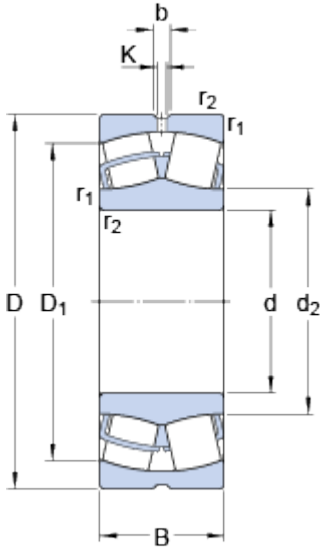


22206 E

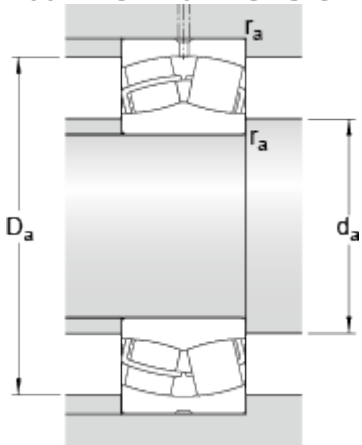
SKF Explorer

Dimensions



d		30	mm
D		62	mm
B		20	mm
d ₂	≈	37.6	mm
D ₁	≈	53	mm
b		3.7	mm
K		2	mm
r _{1,2}	min.	1	mm

Abutment dimensions



d _a	min.	35.6	mm
D _a	max.	56.4	mm
r _a	max.	1	mm

Calculation data

Basic dynamic load rating	C	66.1	kN
Basic static load rating	C	60	kN
Fatigue load limit	P _u	6.4	kN
Reference speed		10000	r/min
Limiting speed		14000	r/min
Calculation factor	e	0.31	
Calculation factor	Y ₁	2.2	
Calculation factor	Y ₂	3.3	
Calculation factor	Y	2.2	

Mass

Mass bearing		0.29	kg
--------------	--	------	----

