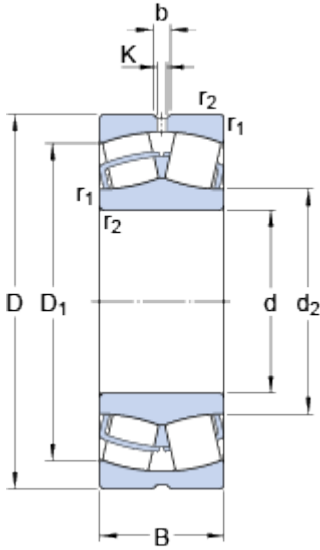


22205 E

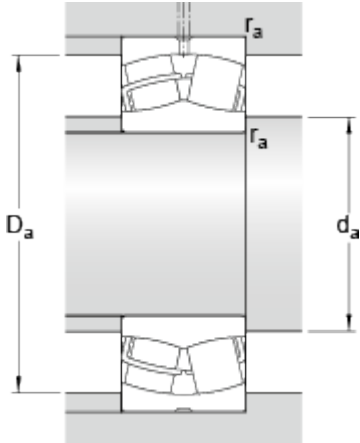
SKF Explorer

Dimensions



d	25	mm
D	52	mm
B	18	mm
d ₂	≈ 31.3	mm
D ₁	≈ 44.2	mm
b	3.7	mm
K	2	mm
r _{1,2}	min. 1	mm

Abutment dimensions



d _a	min.	30.6	mm
D _a	max.	46.4	mm
r _a	max.	1	mm

Calculation data

Basic dynamic load rating	C	49.9	kN
Basic static load rating	C	44	kN
Fatigue load limit	P _u	4.75	kN
Reference speed		13000	r/min
Limiting speed		17000	r/min
Calculation factor	e	0.35	
Calculation factor	Y ₁	1.9	
Calculation factor	Y ₂	2.9	
Calculation factor	Y	1.8	

Mass

Mass bearing	0.26	kg
--------------	------	----

