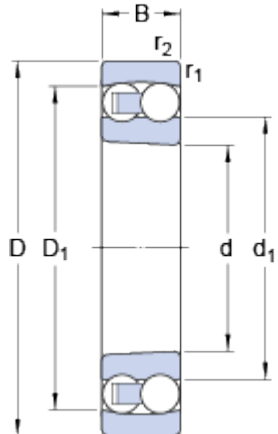


2218 K

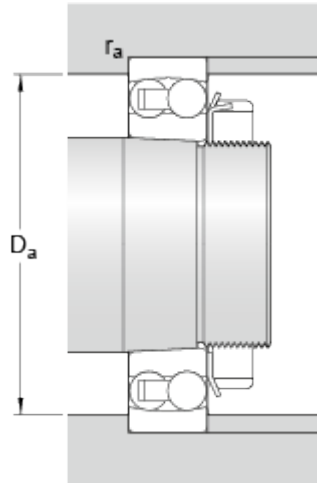
Dimensions



d		90	mm
D		160	mm
B		40	mm
d ₁	≈	112.6	mm
D ₁	≈	139.5	mm
r _{1,2}	min.	2	mm

Tapered bore, taper 1:12

Abutment dimensions



D _a	max.	149	mm
r _a	max.	2	mm

Calculation data

Basic dynamic load rating	C	70.2	kN
Basic static load rating	C	28.5	kN
Fatigue load limit	P _u	1.32	kN
Reference speed		7500	r/min
Limiting speed		5300	r/min
Permissible angular misalignment	α	2.5	°
Calculation factor	k _r	0.04	
Calculation factor	e	0.27	
Calculation factor	Y	2.5	
Calculation factor	Y ₁	2.3	
Calculation factor	Y ₂	3.6	

Mass

Mass bearing		3.2	kg
--------------	--	-----	----

