

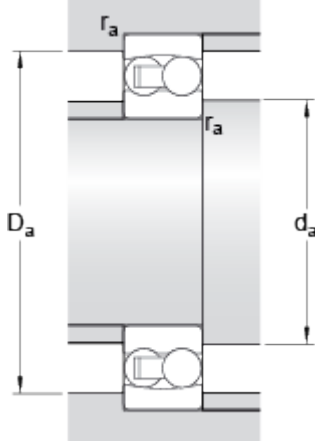
2217

Dimensions



d		85	mm
D		150	mm
B		36	mm
d ₁	≈	106	mm
D ₁	≈	130.7	mm
r _{1,2}	min.	2	mm

Abutment dimensions



d _a	min.	96	mm
D _a	max.	139	mm
r _a	max.	2	mm

Calculation data

Basic dynamic load rating	C	58.5	kN
Basic static load rating	C	23.6	kN
Fatigue load limit	P _u	1.12	kN
Reference speed		8000	r/min
Limiting speed		5600	r/min
Permissible angular misalignment	α	2.5	°
Calculation factor	k _r	0.04	
Calculation factor	e	0.25	
Calculation factor	Y	2.5	
Calculation factor	Y ₁	2.5	
Calculation factor	Y ₂	3.9	

Mass

Mass bearing		2.5	kg
--------------	--	-----	----

