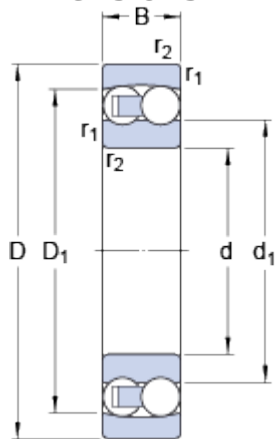


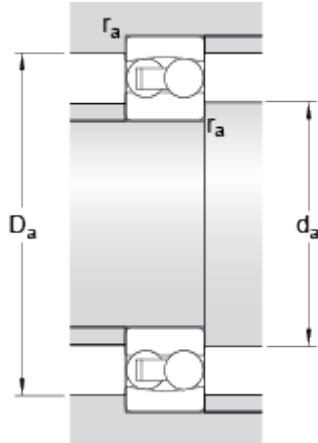
2216 ETN9

Dimensions



d		80	mm
D		140	mm
B		33	mm
d ₁	≈	99	mm
D ₁	≈	125.2	mm
r _{1,2}	min.	2	mm

Abutment dimensions



d _a	min.	91	mm
D _a	max.	129	mm
r _a	max.	2	mm

Calculation data

Basic dynamic load rating	C	65	kN
Basic static load rating	C	25.5	kN
Fatigue load limit	P _u	1.25	kN
Reference speed		8500	r/min
Limiting speed		6000	r/min
Permissible angular misalignment	α	2.5	°
Calculation factor	k _r	0.045	
Calculation factor	e	0.22	
Calculation factor	Y	2.8	
Calculation factor	Y ₁	2.9	
Calculation factor	Y ₂	4.5	

Mass

Mass bearing		2	kg
--------------	--	---	----

