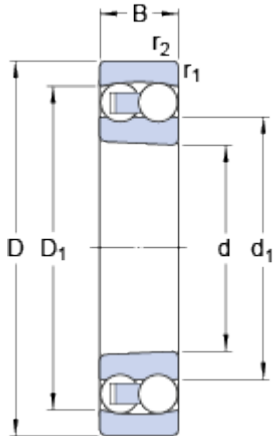


2216 EKTN9

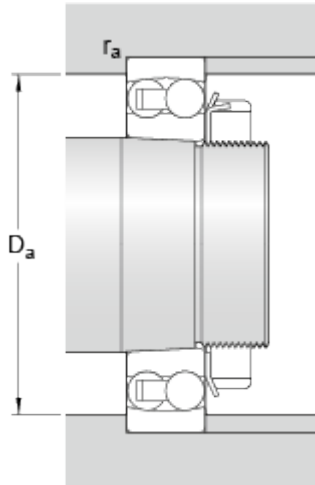
Dimensions



d	80	mm
D	140	mm
B	33	mm
d ₁	≈ 99	mm
D ₁	≈ 125.2	mm
r _{1,2}	min. 2	mm

Tapered bore, taper 1:12

Abutment dimensions



D _a	max.	129	mm
r _a	max.	2	mm

Calculation data

Basic dynamic load rating	C	65	kN
Basic static load rating	C	25.5	kN
Fatigue load limit	P _u	1.25	kN
Reference speed		8500	r/min
Limiting speed		6000	r/min
Permissible angular misalignment	α	2.5	°
Calculation factor	k _r	0.045	
Calculation factor	e	0.22	
Calculation factor	Y	2.8	
Calculation factor	Y ₁	2.9	
Calculation factor	Y ₂	4.5	

Mass

Mass bearing	1.9	kg
--------------	-----	----

