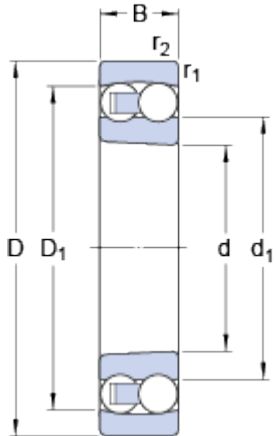


2215 EKTN9

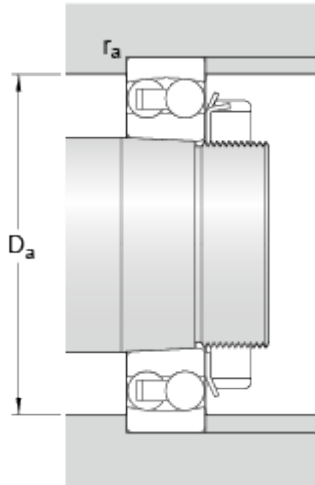
Dimensions



| | | | |
|------------------|------|-------|----|
| d | | 75 | mm |
| D | | 130 | mm |
| B | | 31 | mm |
| d ₁ | ≈ | 91.61 | mm |
| D ₁ | ≈ | 116.6 | mm |
| r _{1,2} | min. | 1.5 | mm |

Tapered bore, taper 1:12

Abutment dimensions



| | | | |
|----------------|------|-----|----|
| D _a | max. | 121 | mm |
| r _a | max. | 1.5 | mm |

Calculation data

| | | | |
|----------------------------------|----------------|-------|-------|
| Basic dynamic load rating | C | 58.5 | kN |
| Basic static load rating | C | 22 | kN |
| Fatigue load limit | P _u | 1.12 | kN |
| Reference speed | | 9000 | r/min |
| Limiting speed | | 6300 | r/min |
| Permissible angular misalignment | α | 2.5 | ° |
| Calculation factor | k _r | 0.045 | |
| Calculation factor | e | 0.22 | |
| Calculation factor | Y | 2.8 | |
| Calculation factor | Y ₁ | 2.9 | |
| Calculation factor | Y ₂ | 4.5 | |

Mass

| | | | |
|--------------|--|-----|----|
| Mass bearing | | 1.5 | kg |
|--------------|--|-----|----|

