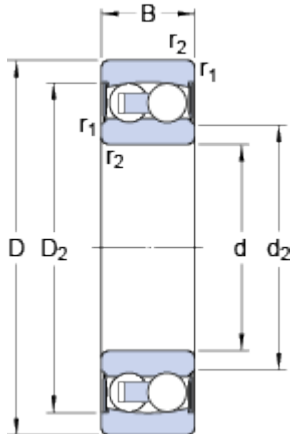


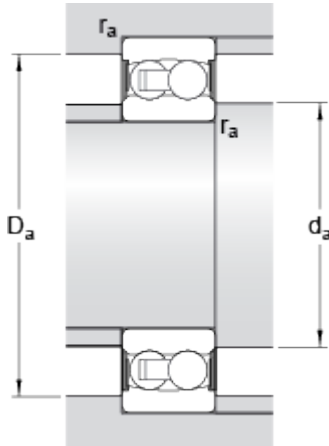
2214 E-2RS1TN9

Dimensions



d		70	mm
D		125	mm
B		31	mm
d ₂	≈	81.45	mm
D ₂	≈	108.5	mm
r _{1,2}	min.	1.5	mm

Abutment dimensions



d _a	min.	79	mm
d _a	max.	81	mm
D _a	max.	116	mm
r _a	max.	1.5	mm

Calculation data

Basic dynamic load rating	C	35.8	kN
Basic static load rating	C	14.6	kN
Fatigue load limit	P _u	0.75	kN
Limiting speed		3400	r/min
Permissible angular misalignment	α	1.5	°
Calculation factor	k _r	0.045	
Calculation factor	e	0.18	
Calculation factor	Y	3.6	
Calculation factor	Y ₁	3.5	
Calculation factor	Y ₂	5.4	

Mass

Mass bearing		1.45	kg
--------------	--	------	----