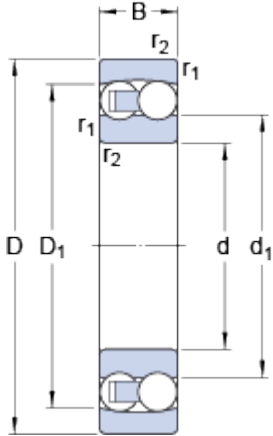


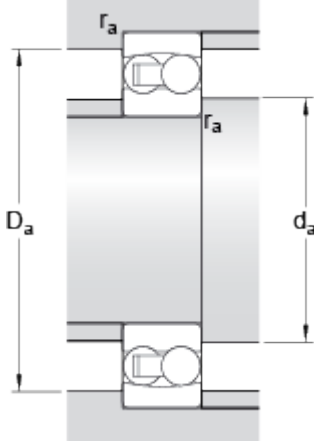
2214

Dimensions



d		70	mm
D		125	mm
B		31	mm
d ₁	≈	88	mm
D ₁	≈	109	mm
r _{1,2}	min.	1.5	mm

Abutment dimensions



d _a	min.	79	mm
D _a	max.	116	mm
r _a	max.	1.5	mm

Calculation data

Basic dynamic load rating	C	44.2	kN
Basic static load rating	C	17	kN
Fatigue load limit	P _u	0.88	kN
Reference speed		10000	r/min
Limiting speed		6700	r/min
Permissible angular misalignment	α	2.5	°
Calculation factor	k _r	0.04	
Calculation factor	e	0.27	
Calculation factor	Y	2.5	
Calculation factor	Y ₁	2.3	
Calculation factor	Y ₂	3.6	

Mass

Mass bearing		1.5	kg
--------------	--	-----	----

