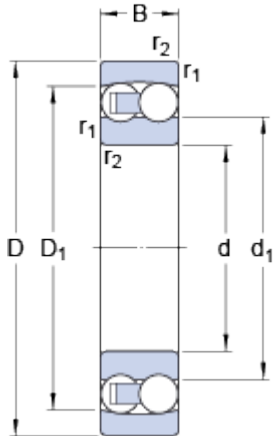


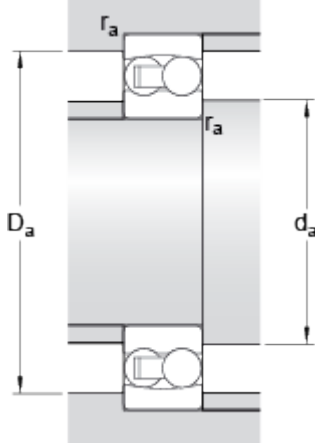
# 2213 ETN9

## Dimensions



d		65	mm
D		120	mm
B		31	mm
d <sub>1</sub>	≈	80.68	mm
D <sub>1</sub>	≈	105.5	mm
r <sub>1,2</sub>	min.	1.5	mm

## Abutment dimensions



d <sub>a</sub>	min.	74	mm
D <sub>a</sub>	max.	111	mm
r <sub>a</sub>	max.	1.5	mm

## Calculation data

Basic dynamic load rating	C	57.2	kN
Basic static load rating	C	20	kN
Fatigue load limit	P <sub>u</sub>	1.02	kN
Reference speed		10000	r/min
Limiting speed		7000	r/min
Permissible angular misalignment	α	2.5	°
Calculation factor	k <sub>r</sub>	0.045	
Calculation factor	e	0.24	
Calculation factor	Y	2.8	
Calculation factor	Y <sub>1</sub>	2.6	
Calculation factor	Y <sub>2</sub>	4.1	

## Mass

Mass bearing		1.45	kg
--------------	--	------	----

