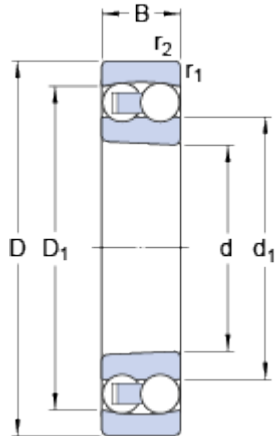


2213 EKTN9

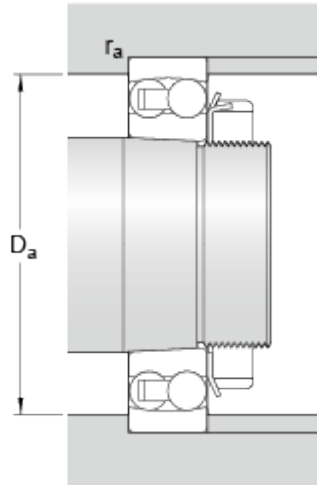
Dimensions



d	65	mm
D	120	mm
B	31	mm
d_1	≈ 80.68	mm
D_1	≈ 105.5	mm
$r_{1,2}$	min. 1.5	mm

Tapered bore, taper 1:12

Abutment dimensions



D_a	max.	111	mm
r_a	max.	1.5	mm

Calculation data

Basic dynamic load rating	C	57.2	kN
Basic static load rating	C	20	kN
Fatigue load limit	P_u	1.02	kN
Reference speed		10000	r/min
Limiting speed		7000	r/min
Permissible angular misalignment	α	2.5	°
Calculation factor	k_r	0.045	
Calculation factor	e	0.24	
Calculation factor	Y	2.8	
Calculation factor	Y_1	2.6	
Calculation factor	Y_2	4.1	

Mass

Mass bearing		1.4	kg
--------------	--	-----	----

