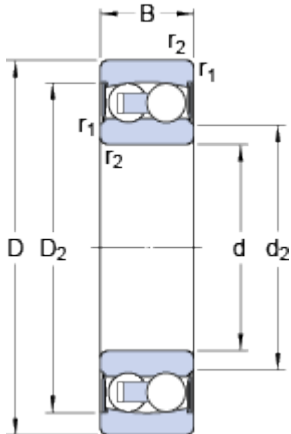


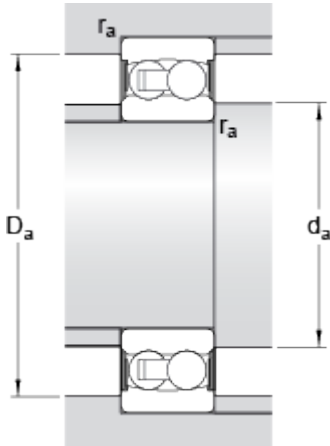
# 2212 E-2RS1TN9

## Dimensions



d	60	mm
D	110	mm
B	28	mm
d <sub>2</sub>	≈ 73.2	mm
D <sub>2</sub>	≈ 97	mm
r <sub>1,2</sub>	min. 1.5	mm

## Abutment dimensions



d <sub>a</sub>	min.	69	mm
d <sub>a</sub>	max.	73	mm
D <sub>a</sub>	max.	101	mm
r <sub>a</sub>	max.	1.5	mm

## Calculation data

Basic dynamic load rating	C	31.2	kN
Basic static load rating	C	12.2	kN
Fatigue load limit	P <sub>u</sub>	0.62	kN
Limiting speed		3800	r/min
Permissible angular misalignment	α	1.5	°
Calculation factor	k <sub>r</sub>	0.045	
Calculation factor	e	0.19	
Calculation factor	Y	3.6	
Calculation factor	Y <sub>1</sub>	3.3	
Calculation factor	Y <sub>2</sub>	5.1	

## Mass

Mass bearing	1.05	kg
--------------	------	----