

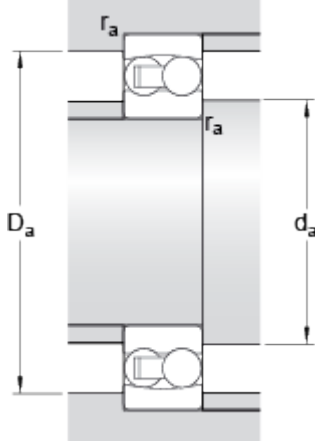
2212 ETN9

Dimensions



d	60	mm
D	110	mm
B	28	mm
d ₁	≈ 74.45	mm
D ₁	≈ 96.9	mm
r _{1,2}	min. 1.5	mm

Abutment dimensions



d _a	min. 69	mm
D _a	max. 101	mm
r _a	max. 1.5	mm

Calculation data

Basic dynamic load rating	C	48.8	kN
Basic static load rating	C	17	kN
Fatigue load limit	P _u	0.88	kN
Reference speed		11000	r/min
Limiting speed		8000	r/min
Permissible angular misalignment	α	2.5	°
Calculation factor	k _r	0.045	
Calculation factor	e	0.24	
Calculation factor	Y	2.8	
Calculation factor	Y ₁	2.6	
Calculation factor	Y ₂	4.1	

Mass

Mass bearing	1.1	kg
--------------	-----	----

