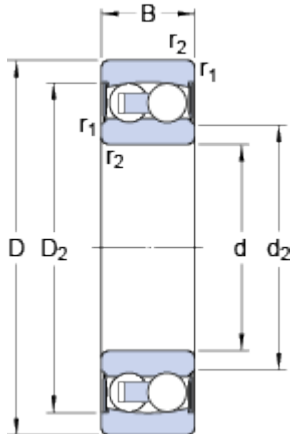


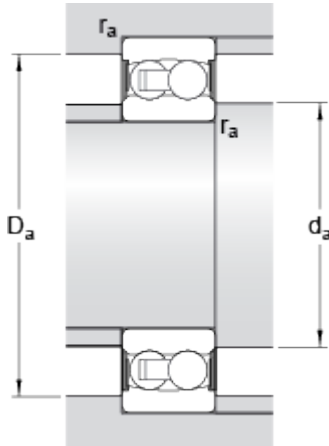
2211 E-2RS1TN9

Dimensions



d		55	mm
D		100	mm
B		25	mm
d ₂	≈	65.9	mm
D ₂	≈	88.5	mm
r _{1,2}	min.	1.5	mm

Abutment dimensions



d _a	min.	64	mm
d _a	max.	65.5	mm
D _a	max.	91	mm
r _a	max.	1.5	mm

Calculation data

Basic dynamic load rating	C	27.6	kN
Basic static load rating	C	10.6	kN
Fatigue load limit	P _u	0.54	kN
Limiting speed		4300	r/min
Permissible angular misalignment	α	1.5	°
Calculation factor	k _r	0.045	
Calculation factor	e	0.19	
Calculation factor	Y	3.6	
Calculation factor	Y ₁	3.3	
Calculation factor	Y ₂	5.1	

Mass

Mass bearing	0.79	kg
--------------	------	----