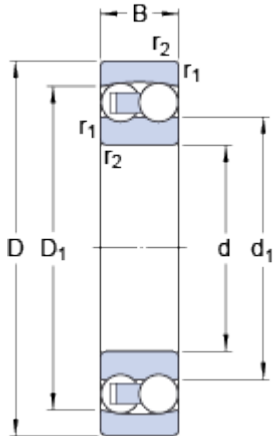


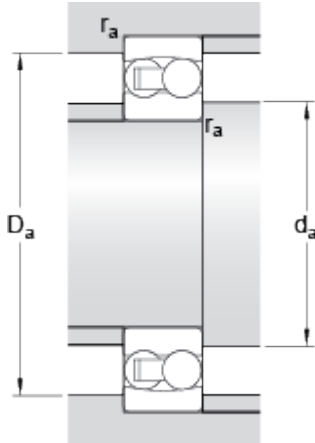
2211 ETN9

Dimensions



d		55	mm
D		100	mm
B		25	mm
d_1	≈	67.71	mm
D_1	≈	87.8	mm
$r_{1,2}$	min.	1.5	mm

Abutment dimensions



d_a	min.	64	mm
D_a	max.	91	mm
r_a	max.	1.5	mm

Calculation data

Basic dynamic load rating	C	39	kN
Basic static load rating	C	13.4	kN
Fatigue load limit	P_u	0.7	kN
Reference speed		12000	r/min
Limiting speed		8500	r/min
Permissible angular misalignment	α	2.5	°
Calculation factor	k_r	0.045	
Calculation factor	e	0.23	
Calculation factor	Y	2.8	
Calculation factor	Y_1	2.7	
Calculation factor	Y_2	4.2	

Mass

Mass bearing		0.81	kg
--------------	--	------	----

