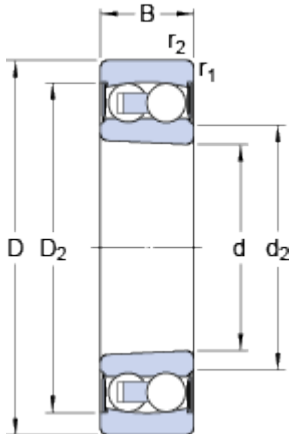


2210 E-2RS1KTN9

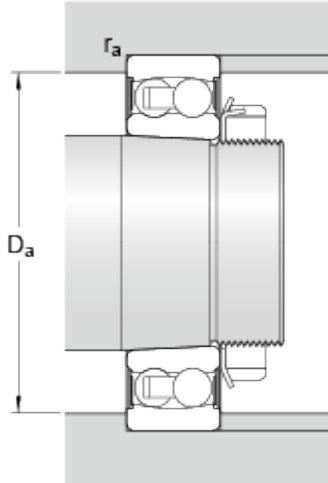
Dimensions



d	50	mm
D	90	mm
B	23	mm
d ₂	≈ 57.7	mm
D ₂	≈ 79.4	mm
r _{1,2}	min. 1.1	mm

Tapered bore, taper 1:12

Abutment dimensions



D _a	max.	83	mm
r _a	max.	1.1	mm

Calculation data

Basic dynamic load rating	C	22.9	kN
Basic static load rating	C	8.15	kN
Fatigue load limit	P _u	0.42	kN
Limiting speed		4800	r/min
Permissible angular misalignment	α	1.5	°
Calculation factor	k _r	0.045	
Calculation factor	e	0.2	
Calculation factor	Y	3.2	
Calculation factor	Y ₁	3.2	
Calculation factor	Y ₂	4.9	

Mass

Mass bearing	0.57	kg
--------------	------	----

