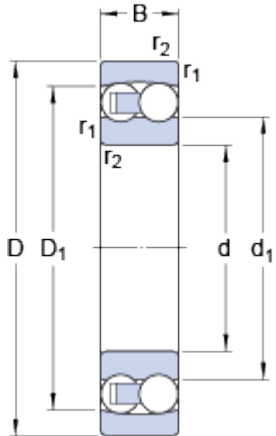


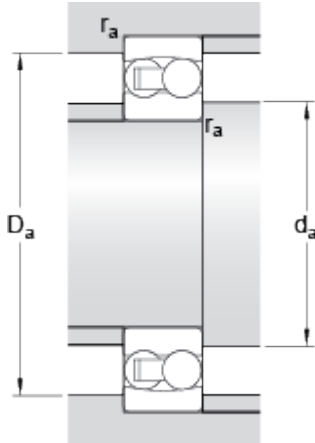
2210 ETN9

Dimensions



| | | | |
|------------------|------|-------|----|
| d | | 50 | mm |
| D | | 90 | mm |
| B | | 23 | mm |
| d ₁ | ≈ | 61.47 | mm |
| D ₁ | ≈ | 80.2 | mm |
| r _{1,2} | min. | 1.1 | mm |

Abutment dimensions



| | | | |
|----------------|------|-----|----|
| d _a | min. | 57 | mm |
| D _a | max. | 83 | mm |
| r _a | max. | 1.1 | mm |

Calculation data

| | | | |
|----------------------------------|----------------|-------|-------|
| Basic dynamic load rating | C | 33.8 | kN |
| Basic static load rating | C | 11.2 | kN |
| Fatigue load limit | P _u | 0.57 | kN |
| Reference speed | | 14000 | r/min |
| Limiting speed | | 9500 | r/min |
| Permissible angular misalignment | α | 2.5 | ° |
| Calculation factor | k _r | 0.045 | |
| Calculation factor | e | 0.23 | |
| Calculation factor | Y | 2.8 | |
| Calculation factor | Y ₁ | 2.7 | |
| Calculation factor | Y ₂ | 4.2 | |

Mass

| | | |
|--------------|-----|----|
| Mass bearing | 0.6 | kg |
|--------------|-----|----|

