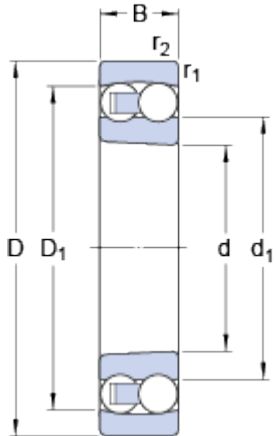


# 2210 EKTN9

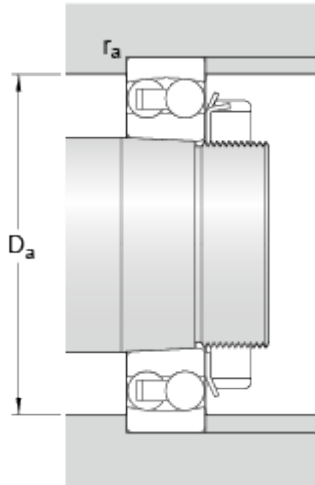
## Dimensions



d		50	mm
D		90	mm
B		23	mm
d <sub>1</sub>	≈	61.47	mm
D <sub>1</sub>	≈	80.2	mm
r <sub>1,2</sub>	min.	1.1	mm

Tapered bore, taper 1:12

## Abutment dimensions



D <sub>a</sub>	max.	83	mm
r <sub>a</sub>	max.	1.1	mm

## Calculation data

Basic dynamic load rating	C	33.8	kN
Basic static load rating	C	11.2	kN
Fatigue load limit	P <sub>u</sub>	0.57	kN
Reference speed		14000	r/min
Limiting speed		9500	r/min
Permissible angular misalignment	α	2.5	°
Calculation factor	k <sub>r</sub>	0.045	
Calculation factor	e	0.23	
Calculation factor	Y	2.8	
Calculation factor	Y <sub>1</sub>	2.7	
Calculation factor	Y <sub>2</sub>	4.2	

## Mass

Mass bearing		0.6	kg
--------------	--	-----	----

