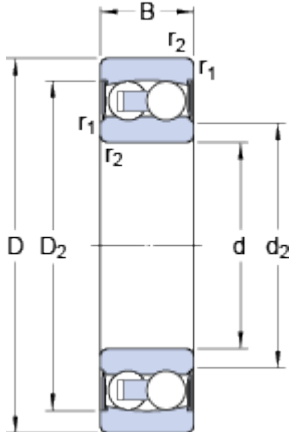


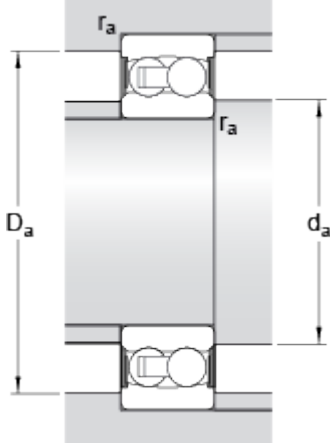
2209 E-2RS1TN9

Dimensions



d		45	mm
D		85	mm
B		23	mm
d ₂	≈	52.9	mm
D ₂	≈	75.25	mm
r _{1,2}	min.	1.1	mm

Abutment dimensions



d _a	min.	52	mm
d _a	max.	53	mm
D _a	max.	78	mm
r _a	max.	1.1	mm

Calculation data

Basic dynamic load rating	C	22.9	kN
Basic static load rating	C	7.8	kN
Fatigue load limit	P _u	0.4	kN
Limiting speed		5300	r/min
Permissible angular misalignment	α	1.5	°
Calculation factor	k _r	0.045	
Calculation factor	e	0.21	
Calculation factor	Y	3.2	
Calculation factor	Y ₁	3	
Calculation factor	Y ₂	4.6	

Mass

Mass bearing	0.53	kg
--------------	------	----