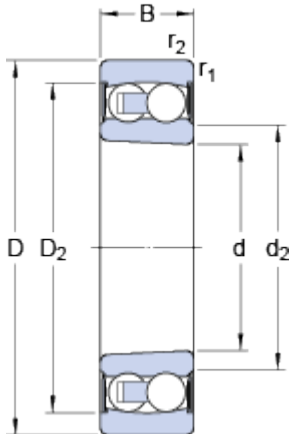


# 2209 E-2RS1KTN9

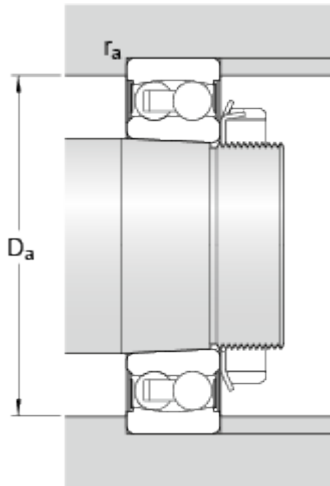
## Dimensions



d		45	mm
D		85	mm
B		23	mm
d <sub>2</sub>	≈	52.9	mm
D <sub>2</sub>	≈	75.25	mm
r <sub>1,2</sub>	min.	1.1	mm

Tapered bore, taper 1:12

## Abutment dimensions



D <sub>a</sub>	max.	78	mm
r <sub>a</sub>	max.	1.1	mm

## Calculation data

Basic dynamic load rating	C	22.9	kN
Basic static load rating	C	7.8	kN
Fatigue load limit	P <sub>u</sub>	0.4	kN
Limiting speed		5300	r/min
Permissible angular misalignment	α	1.5	°
Calculation factor	k <sub>r</sub>	0.045	
Calculation factor	e	0.21	
Calculation factor	Y	3.2	
Calculation factor	Y <sub>1</sub>	3	
Calculation factor	Y <sub>2</sub>	4.6	

## Mass

Mass bearing		0.53	kg
--------------	--	------	----

