

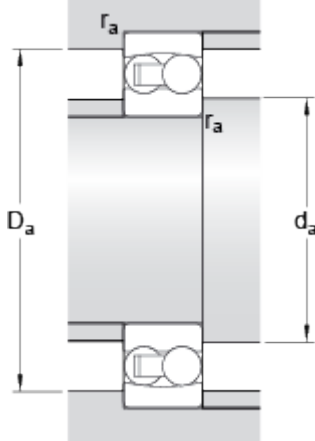
# 2209 ETN9

## Dimensions



d		45	mm
D		85	mm
B		23	mm
d <sub>1</sub>	≈	55.32	mm
D <sub>1</sub>	≈	73.2	mm
r <sub>1,2</sub>	min.	1.1	mm

## Abutment dimensions



d <sub>a</sub>	min.	52	mm
D <sub>a</sub>	max.	78	mm
r <sub>a</sub>	max.	1.1	mm

## Calculation data

Basic dynamic load rating	C	32.5	kN
Basic static load rating	C	10.6	kN
Fatigue load limit	P <sub>u</sub>	0.54	kN
Reference speed		15000	r/min
Limiting speed		10000	r/min
Permissible angular misalignment	α	2.5	°
Calculation factor	k <sub>r</sub>	0.045	
Calculation factor	e	0.26	
Calculation factor	Y	2.5	
Calculation factor	Y <sub>1</sub>	2.4	
Calculation factor	Y <sub>2</sub>	3.7	

## Mass

Mass bearing		0.55	kg
--------------	--	------	----

