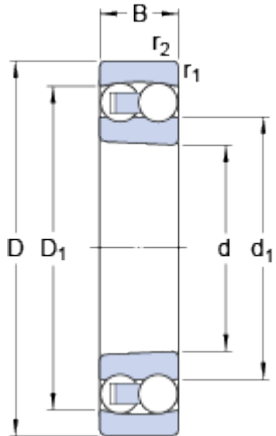


2209 EKTN9

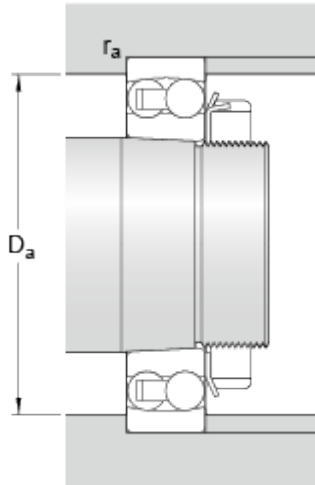
Dimensions



d		45	mm
D		85	mm
B		23	mm
d ₁	≈	55.32	mm
D ₁	≈	73.2	mm
r _{1,2}	min.	1.1	mm

Tapered bore, taper 1:12

Abutment dimensions



D _a	max.	78	mm
r _a	max.	1.1	mm

Calculation data

Basic dynamic load rating	C	32.5	kN
Basic static load rating	C	10.6	kN
Fatigue load limit	P _u	0.54	kN
Reference speed		15000	r/min
Limiting speed		10000	r/min
Permissible angular misalignment	α	2.5	°
Calculation factor	k _r	0.045	
Calculation factor	e	0.26	
Calculation factor	Y	2.5	
Calculation factor	Y ₁	2.4	
Calculation factor	Y ₂	3.7	

Mass

Mass bearing		0.55	kg
--------------	--	------	----

