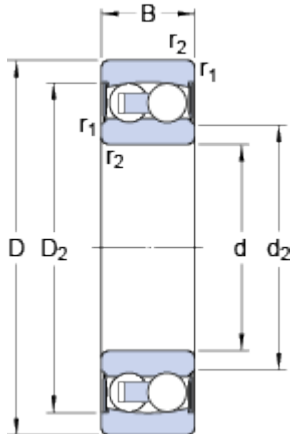


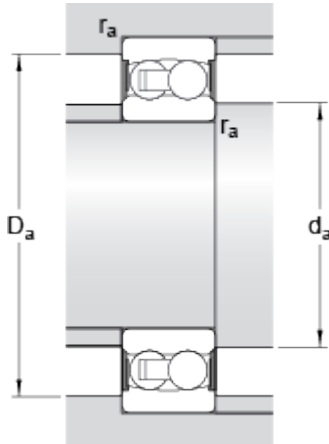
2208 E-2RS1TN9

Dimensions



d		40	mm
D		80	mm
B		23	mm
d ₂	≈	49	mm
D ₂	≈	69.8	mm
r _{1,2}	min.	1.1	mm

Abutment dimensions



d _a	min.	47	mm
d _a	max.	49	mm
D _a	max.	73	mm
r _a	max.	1.1	mm

Calculation data

Basic dynamic load rating	C	19.9	kN
Basic static load rating	C	6.95	kN
Fatigue load limit	P _u	0.36	kN
Limiting speed		5600	r/min
Permissible angular misalignment	α	1.5	°
Calculation factor	k _r	0.045	
Calculation factor	e	0.22	
Calculation factor	Y	2.8	
Calculation factor	Y ₁	2.9	
Calculation factor	Y ₂	4.5	

Mass

Mass bearing		0.5	kg
--------------	--	-----	----