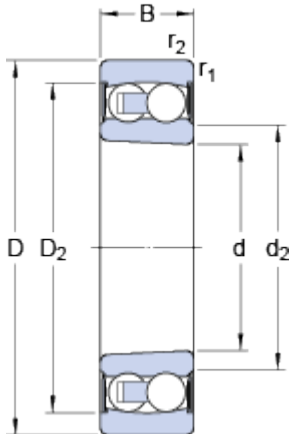


2208 E-2RS1KTN9

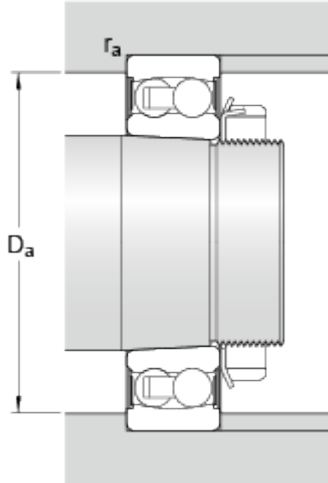
Dimensions



d	40	mm
D	80	mm
B	23	mm
d ₂	≈ 49	mm
D ₂	≈ 69.8	mm
r _{1,2}	min. 1.1	mm

Tapered bore, taper 1:12

Abutment dimensions



D _a	max.	73	mm
r _a	max.	1.1	mm

Calculation data

Basic dynamic load rating	C	19.9	kN
Basic static load rating	C	6.95	kN
Fatigue load limit	P _u	0.36	kN
Limiting speed		5600	r/min
Permissible angular misalignment	α	1.5	°
Calculation factor	k _r	0.045	
Calculation factor	e	0.22	
Calculation factor	Y	2.8	
Calculation factor	Y ₁	2.9	
Calculation factor	Y ₂	4.5	

Mass

Mass bearing	0.5	kg
--------------	-----	----

