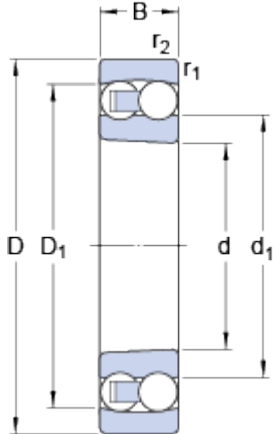


2208 EKTN9

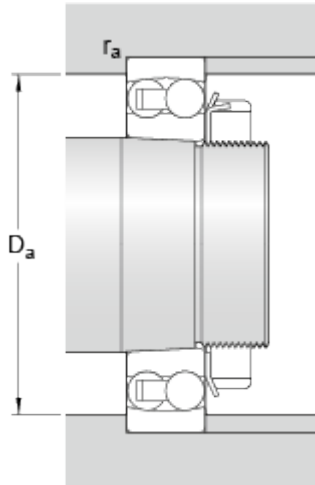
Dimensions



d		40	mm
D		80	mm
B		23	mm
d ₁	≈	52.39	mm
D ₁	≈	70.2	mm
r _{1,2}	min.	1.1	mm

Tapered bore, taper 1:12

Abutment dimensions



D _a	max.	73	mm
r _a	max.	1.1	mm

Calculation data

Basic dynamic load rating	C	31.9	kN
Basic static load rating	C	10	kN
Fatigue load limit	P _u	0.51	kN
Reference speed		16000	r/min
Limiting speed		11000	r/min
Permissible angular misalignment	α	2.5	°
Calculation factor	k _r	0.045	
Calculation factor	e	0.28	
Calculation factor	Y	2.5	
Calculation factor	Y ₁	2.2	
Calculation factor	Y ₂	3.5	

Mass

Mass bearing		0.51	kg
--------------	--	------	----

