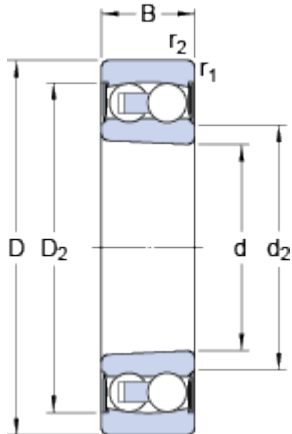


# 2207 E-2RS1KTN9

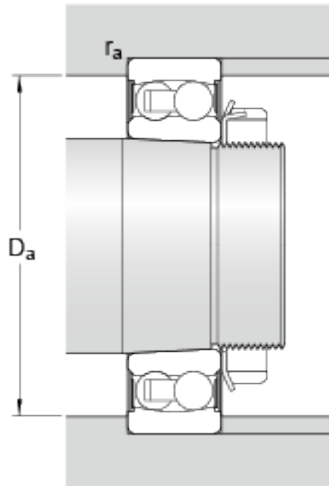
## Dimensions



d		35	mm
D		72	mm
B		23	mm
d <sub>2</sub>	≈	42.7	mm
D <sub>2</sub>	≈	62.69	mm
r <sub>1,2</sub>	min.	1.1	mm

Tapered bore, taper 1:12

## Abutment dimensions



D <sub>a</sub>	max.	65	mm
r <sub>a</sub>	max.	1.1	mm

## Calculation data

Basic dynamic load rating	C	19	kN
Basic static load rating	C	6	kN
Fatigue load limit	P <sub>u</sub>	0.31	kN
Limiting speed		6300	r/min
Permissible angular misalignment	α	1.5	°
Calculation factor	k <sub>r</sub>	0.045	
Calculation factor	e	0.23	
Calculation factor	Y	2.8	
Calculation factor	Y <sub>1</sub>	2.7	
Calculation factor	Y <sub>2</sub>	4.2	

## Mass

Mass bearing		0.41	kg
--------------	--	------	----

