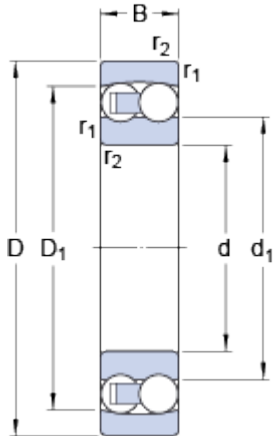


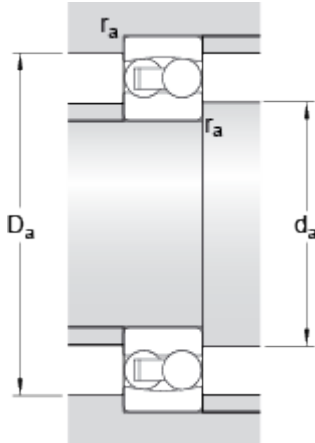
2207 ETN9

Dimensions



d		35	mm
D		72	mm
B		23	mm
d_1	≈	45.3	mm
D_1	≈	62.9	mm
$r_{1,2}$	min.	1.1	mm

Abutment dimensions



d_a	min.	42	mm
D_a	max.	65	mm
r_a	max.	1.1	mm

Calculation data

Basic dynamic load rating	C	30.2	kN
Basic static load rating	C	8.8	kN
Fatigue load limit	P_u	0.455	kN
Reference speed		18000	r/min
Limiting speed		12000	r/min
Permissible angular misalignment	α	2.5	°
Calculation factor	k_r	0.045	
Calculation factor	e	0.31	
Calculation factor	Y	2.2	
Calculation factor	Y_1	2	
Calculation factor	Y_2	3.1	

Mass

Mass bearing		0.4	kg
--------------	--	-----	----

