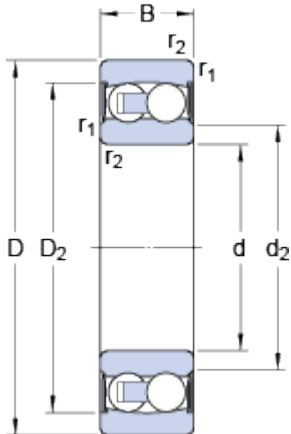


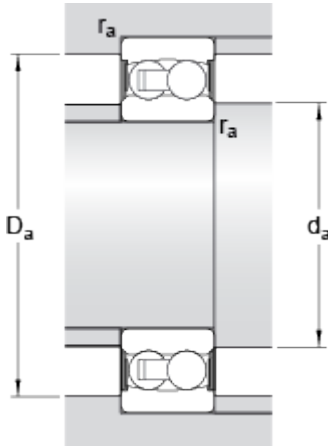
2206 E-2RS1TN9

Dimensions



| | | | |
|------------------|------|-------|----|
| d | | 30 | mm |
| D | | 62 | mm |
| B | | 20 | mm |
| d ₂ | ≈ | 36.7 | mm |
| D ₂ | ≈ | 54.06 | mm |
| r _{1,2} | min. | 1 | mm |

Abutment dimensions



| | | | |
|----------------|------|------|----|
| d _a | min. | 35.6 | mm |
| d _a | max. | 36.5 | mm |
| D _a | max. | 56.4 | mm |
| r _a | max. | 1 | mm |

Calculation data

| | | | |
|----------------------------------|----------------|-------|-------|
| Basic dynamic load rating | C | 15.6 | kN |
| Basic static load rating | C | 4.65 | kN |
| Fatigue load limit | P _u | 0.24 | kN |
| Limiting speed | | 7500 | r/min |
| Permissible angular misalignment | α | 1.5 | ° |
| Calculation factor | k _r | 0.045 | |
| Calculation factor | e | 0.25 | |
| Calculation factor | Y | 2.5 | |
| Calculation factor | Y ₁ | 2.5 | |
| Calculation factor | Y ₂ | 3.9 | |

Mass

| | | | |
|--------------|--|------|----|
| Mass bearing | | 0.26 | kg |
|--------------|--|------|----|