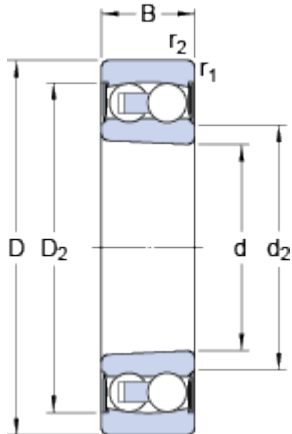


2206 E-2RS1KTN9

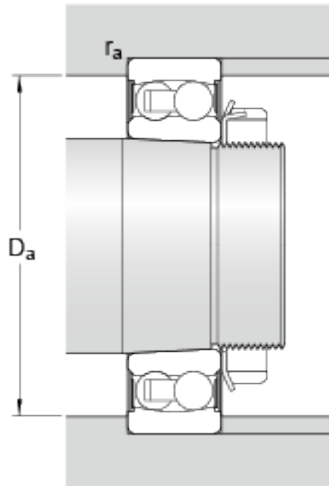
Dimensions



d		30	mm
D		62	mm
B		20	mm
d ₂	≈	36.7	mm
D ₂	≈	54.06	mm
r _{1,2}	min.	1	mm

Tapered bore, taper 1:12

Abutment dimensions



D _a	max.	56.4	mm
r _a	max.	1	mm

Calculation data

Basic dynamic load rating	C	15.6	kN
Basic static load rating	C	4.65	kN
Fatigue load limit	P _u	0.24	kN
Limiting speed		7500	r/min
Permissible angular misalignment	α	1.5	°
Calculation factor	k _r	0.045	
Calculation factor	e	0.25	
Calculation factor	Y	2.5	
Calculation factor	Y ₁	2.5	
Calculation factor	Y ₂	3.9	

Mass

Mass bearing		0.26	kg
--------------	--	------	----

