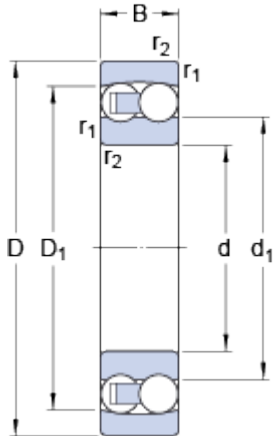


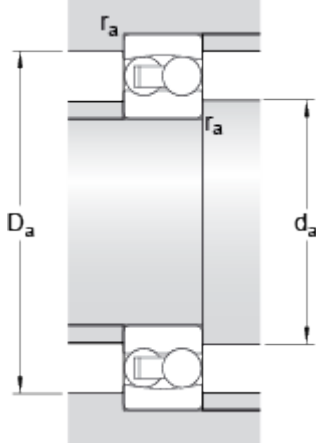
2206 ETN9

Dimensions



d		30	mm
D		62	mm
B		20	mm
d_1	≈	38.79	mm
D_1	≈	54	mm
$r_{1,2}$	min.	1	mm

Abutment dimensions



d_a	min.	35.6	mm
D_a	max.	56.4	mm
r_a	max.	1	mm

Calculation data

Basic dynamic load rating	C	23.8	kN
Basic static load rating	C	6.7	kN
Fatigue load limit	P_u	0.35	kN
Reference speed		22000	r/min
Limiting speed		15000	r/min
Permissible angular misalignment	α	2.5	°
Calculation factor	k_r	0.045	
Calculation factor	e	0.33	
Calculation factor	Y	2	
Calculation factor	Y_1	1.9	
Calculation factor	Y_2	3	

Mass

Mass bearing		0.26	kg
--------------	--	------	----

