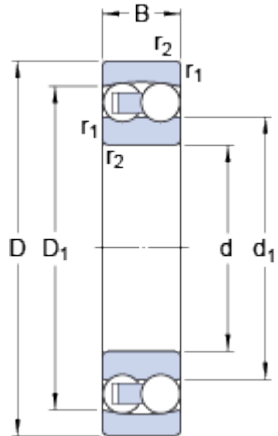


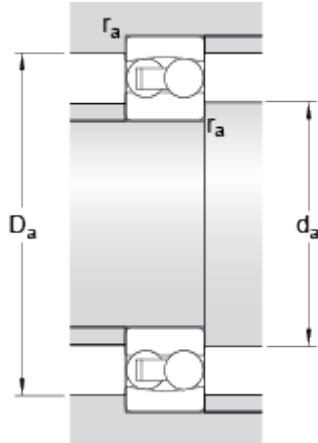
2205 ETN9

Dimensions



d		25	mm
D		52	mm
B		18	mm
d_1	\approx	32.28	mm
D_1	\approx	45.1	mm
$r_{1,2}$	min.	1	mm

Abutment dimensions



d_a	min.	30.6	mm
D_a	max.	46.4	mm
r_a	max.	1	mm

Calculation data

Basic dynamic load rating	C	16.8	kN
Basic static load rating	C	4.4	kN
Fatigue load limit	P_u	0.23	kN
Reference speed		26000	r/min
Limiting speed		18000	r/min
Permissible angular misalignment	α	2.5	$^\circ$
Calculation factor	k_r	0.045	
Calculation factor	e	0.35	
Calculation factor	Y	1.8	
Calculation factor	Y_1	1.8	
Calculation factor	Y_2	2.8	

Mass

Mass bearing		0.16	kg
--------------	--	------	----

