

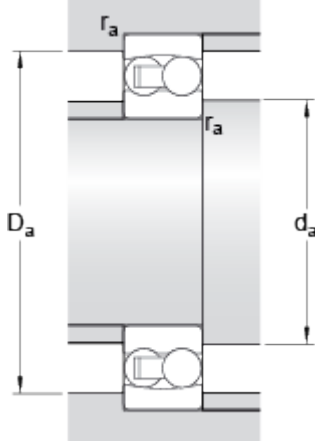
# 2204 ETN9

## Dimensions



$d$		20	mm
$D$		47	mm
$B$		18	mm
$d_1$	$\approx$	27.37	mm
$D_1$	$\approx$	40	mm
$r_{1,2}$	min.	1	mm

## Abutment dimensions



$d_a$	min.	25.6	mm
$D_a$	max.	41.4	mm
$r_a$	max.	1	mm

## Calculation data

Basic dynamic load rating	C	16.8	kN
Basic static load rating	C	4.15	kN
Fatigue load limit	$P_u$	0.22	kN
Reference speed		28000	r/min
Limiting speed		20000	r/min
Permissible angular misalignment	$\alpha$	2.5	$^\circ$
Calculation factor	$k_r$	0.045	
Calculation factor	$e$	0.4	
Calculation factor	$Y$	1.6	
Calculation factor	$Y_1$	1.6	
Calculation factor	$Y_2$	2.4	

## Mass

Mass bearing		0.14	kg
--------------	--	------	----

