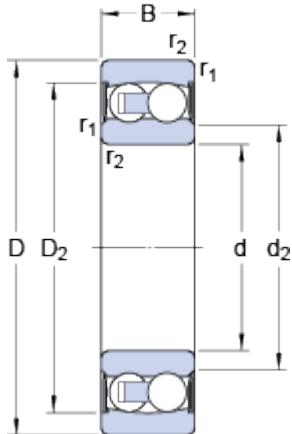


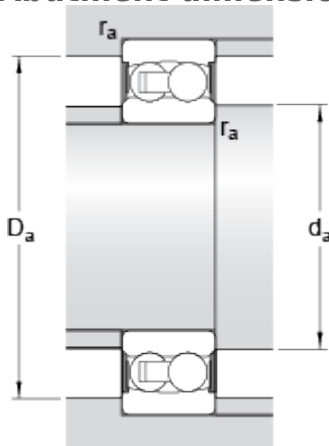
2203 E-2RS1TN9

Dimensions



d		17	mm
D		40	mm
B		16	mm
d ₂	≈	21.1	mm
D ₂	≈	34.98	mm
r _{1,2}	min.	0.6	mm

Abutment dimensions



d _a	min.	21	mm
d _a	max.	21	mm
D _a	max.	35.8	mm
r _a	max.	0.6	mm

Calculation data

Basic dynamic load rating	C	8.84	kN
Basic static load rating	C	2.2	kN
Fatigue load limit	P _u	0.12	kN
Limiting speed		12000	r/min
Permissible angular misalignment	α	1.5	°
Calculation factor	k _r	0.045	
Calculation factor	e	0.31	
Calculation factor	Y	2.2	
Calculation factor	Y ₁	2	
Calculation factor	Y ₂	3.1	

Mass

Mass bearing	0.089	kg
--------------	-------	----