

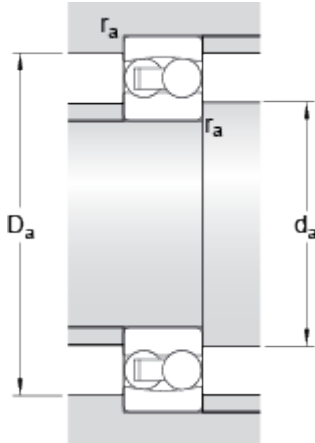
2203 ETN9

Dimensions



d		17	mm
D		40	mm
B		16	mm
d ₁	≈	23.83	mm
D ₁	≈	33.4	mm
r _{1,2}	min.	0.6	mm

Abutment dimensions



d _a	min.	21.2	mm
D _a	max.	35.8	mm
r _a	max.	0.6	mm

Calculation data

Basic dynamic load rating	C	10.6	kN
Basic static load rating	C	2.55	kN
Fatigue load limit	P _u	0.14	kN
Reference speed		34000	r/min
Limiting speed		24000	r/min
Permissible angular misalignment	α	2.5	°
Calculation factor	k _r	0.045	
Calculation factor	e	0.43	
Calculation factor	Y	1.6	
Calculation factor	Y ₁	1.5	
Calculation factor	Y ₂	2.3	

Mass

Mass bearing		0.088	kg
--------------	--	-------	----

