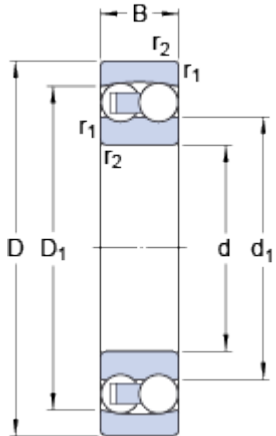


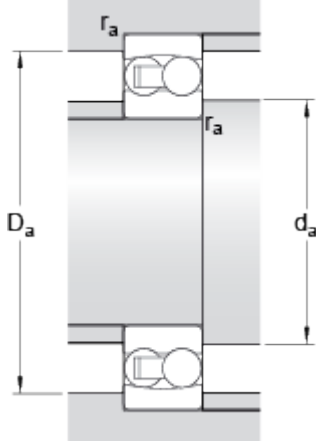
# 2201 ETN9

## Dimensions



$d$		12	mm
$D$		32	mm
$B$		14	mm
$d_1$	$\approx$	17.47	mm
$D_1$	$\approx$	26.4	mm
$r_{1,2}$	min.	0.6	mm

## Abutment dimensions



$d_a$	min.	16.2	mm
$D_a$	max.	27.8	mm
$r_a$	max.	0.6	mm

## Calculation data

Basic dynamic load rating	C	8.52	kN
Basic static load rating	C	1.9	kN
Fatigue load limit	$P_u$	0.098	kN
Reference speed		45000	r/min
Limiting speed		30000	r/min
Permissible angular misalignment	$\alpha$	2.5	$^\circ$
Calculation factor	$k_r$	0.045	
Calculation factor	$e$	0.5	
Calculation factor	$Y$	1.3	
Calculation factor	$Y_1$	1.25	
Calculation factor	$Y_2$	2	

## Mass

Mass bearing		0.053	kg
--------------	--	-------	----

