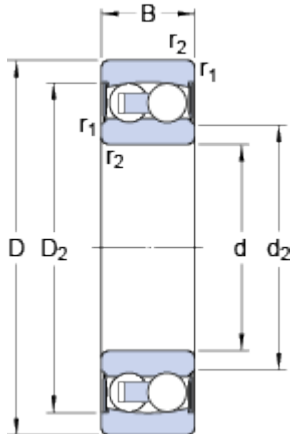


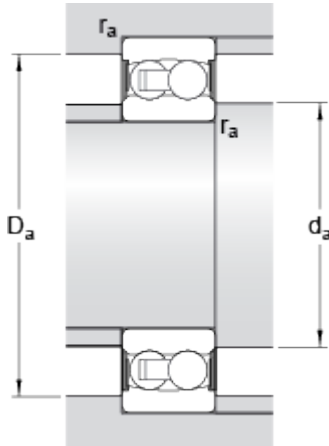
2200 E-2RS1TN9

Dimensions



d		10	mm
D		30	mm
B		14	mm
d ₂	≈	14.6	mm
D ₂	≈	24.72	mm
r _{1,2}	min.	0.6	mm

Abutment dimensions



d _a	min.	14	mm
d _a	max.	14	mm
D _a	max.	25.8	mm
r _a	max.	0.6	mm

Calculation data

Basic dynamic load rating	C	5.53	kN
Basic static load rating	C	1.18	kN
Fatigue load limit	P _u	0.06	kN
Limiting speed		17000	r/min
Permissible angular misalignment	α	1.5	°
Calculation factor	k _r	0.045	
Calculation factor	e	0.33	
Calculation factor	Y	2	
Calculation factor	Y ₁	1.9	
Calculation factor	Y ₂	3	

Mass

Mass bearing	0.048	kg
--------------	-------	----