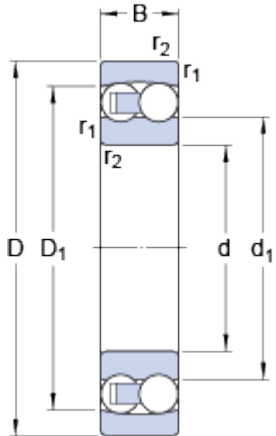


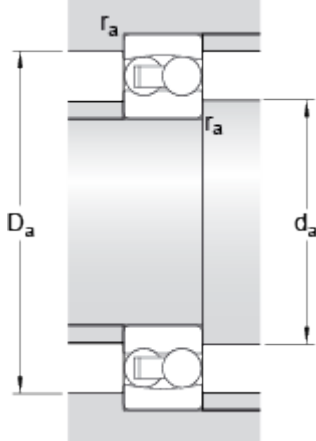
2200 ETN9

Dimensions



d		10	mm
D		30	mm
B		14	mm
d_1	≈	15.39	mm
D_1	≈	24.3	mm
$r_{1,2}$	min.	0.6	mm

Abutment dimensions



d_a	min.	14.2	mm
D_a	max.	25.8	mm
r_a	max.	0.6	mm

Calculation data

Basic dynamic load rating	C	8.06	kN
Basic static load rating	C	1.73	kN
Fatigue load limit	P_u	0.09	kN
Reference speed		50000	r/min
Limiting speed		34000	r/min
Permissible angular misalignment	α	2.5	°
Calculation factor	k_r	0.045	
Calculation factor	e	0.54	
Calculation factor	Y	1.3	
Calculation factor	Y_1	1.15	
Calculation factor	Y_2	1.8	

Mass

Mass bearing		0.047	kg
--------------	--	-------	----

