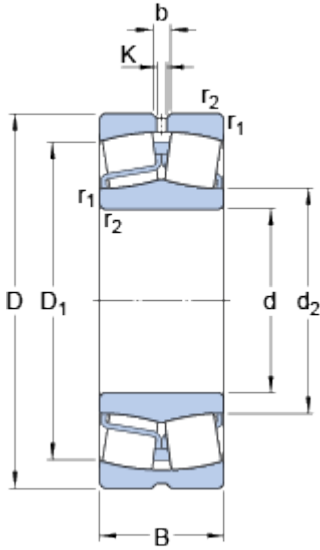


# 21316 E

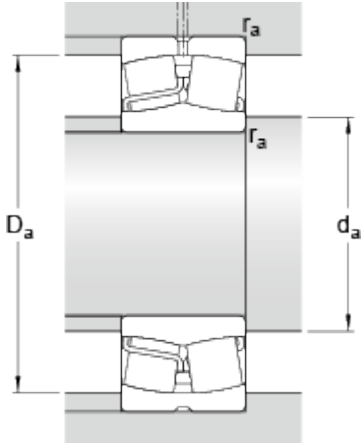
SKF Explorer

## Dimensions



d	80	mm
D	170	mm
B	39	mm
d <sub>2</sub>	≈ 106	mm
D <sub>1</sub>	≈ 141	mm
b	6	mm
K	3	mm
r <sub>1,2</sub>	min. 2.1	mm

## Abutment dimensions



d <sub>a</sub>	min. 92	mm
D <sub>a</sub>	max. 158	mm
r <sub>a</sub>	max. 2	mm

## Calculation data

Basic dynamic load rating	C	331	kN
Basic static load rating	C	375	kN
Fatigue load limit	P <sub>u</sub>	39	kN
Reference speed		3800	r/min
Limiting speed		5300	r/min
Calculation factor	e	0.24	
Calculation factor	Y <sub>1</sub>	2.8	
Calculation factor	Y <sub>2</sub>	4.2	
Calculation factor	Y	2.8	

## Mass

Mass bearing	4.45	kg
--------------	------	----

