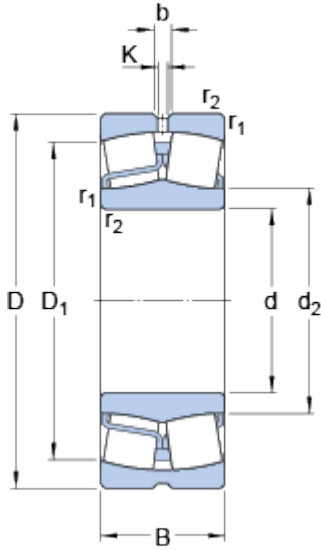


21315 E

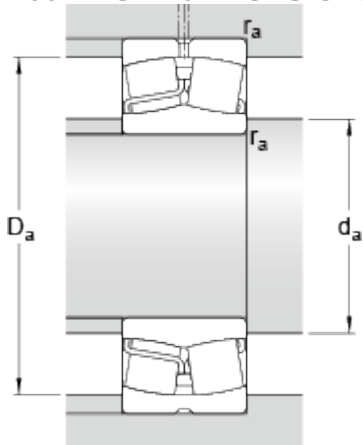
SKF Explorer

Dimensions



d		75	mm
D		160	mm
B		37	mm
d ₂	≈	101	mm
D ₁	≈	133	mm
b		6	mm
K		3	mm
r _{1,2}	min.	2.1	mm

Abutment dimensions



d _a	min.	87	mm
D _a	max.	148	mm
r _a	max.	2	mm

Calculation data

Basic dynamic load rating	C	291	kN
Basic static load rating	C	325	kN
Fatigue load limit	P _u	34.5	kN
Reference speed		4000	r/min
Limiting speed		5600	r/min
Calculation factor	e	0.22	
Calculation factor	Y ₁	3	
Calculation factor	Y ₂	4.6	
Calculation factor	Y	2.8	

Mass

Mass bearing		3.75	kg
--------------	--	------	----

