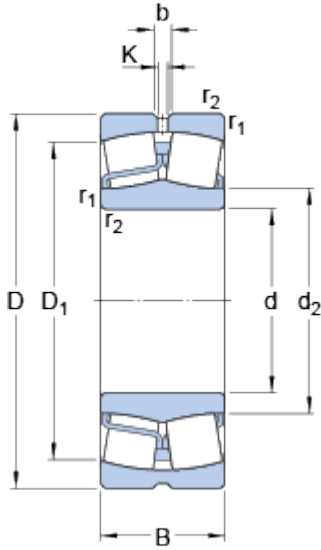


# 21314 E

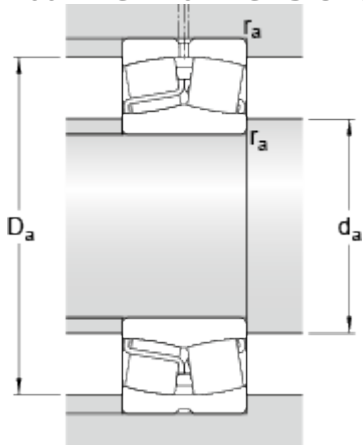
SKF Explorer

## Dimensions



d		70	mm
D		150	mm
B		35	mm
d <sub>2</sub>	≈	101	mm
D <sub>1</sub>	≈	133	mm
b		6	mm
K		3	mm
r <sub>1,2</sub>	min.	2.1	mm

## Abutment dimensions



d <sub>a</sub>	min.	82	mm
D <sub>a</sub>	max.	138	mm
r <sub>a</sub>	max.	2	mm

## Calculation data

Basic dynamic load rating	C	291	kN
Basic static load rating	C	325	kN
Fatigue load limit	P <sub>u</sub>	34.5	kN
Reference speed		4000	r/min
Limiting speed		5600	r/min
Calculation factor	e	0.22	
Calculation factor	Y <sub>1</sub>	3	
Calculation factor	Y <sub>2</sub>	4.6	
Calculation factor	Y	2.8	

## Mass

Mass bearing		3.1	kg
--------------	--	-----	----

