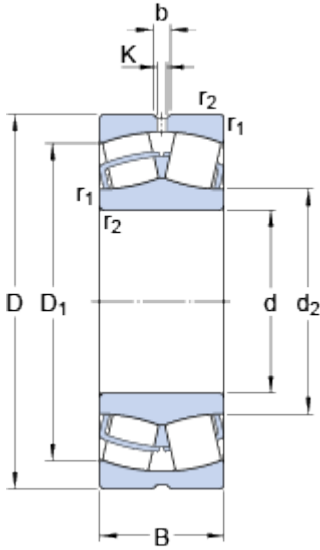


21313 E

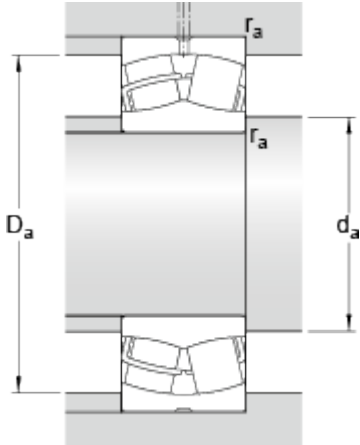
SKF Explorer

Dimensions



d	65	mm
D	140	mm
B	33	mm
d ₂	≈ 94.7	mm
D ₁	≈ 124	mm
b	6	mm
K	3	mm
r _{1,2}	min. 2.1	mm

Abutment dimensions



d _a	min. 77	mm
D _a	max. 128	mm
r _a	max. 2	mm

Calculation data

Basic dynamic load rating	C	243	kN
Basic static load rating	C	270	kN
Fatigue load limit	P _u	29	kN
Reference speed		4300	r/min
Limiting speed		6000	r/min
Calculation factor	e	0.22	
Calculation factor	Y ₁	3	
Calculation factor	Y ₂	4.6	
Calculation factor	Y	2.8	

Mass

Mass bearing	2.55	kg
--------------	------	----

