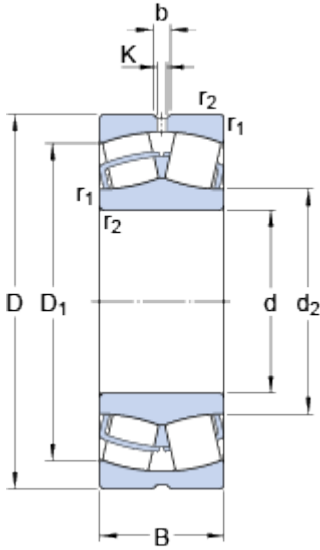


21312 E

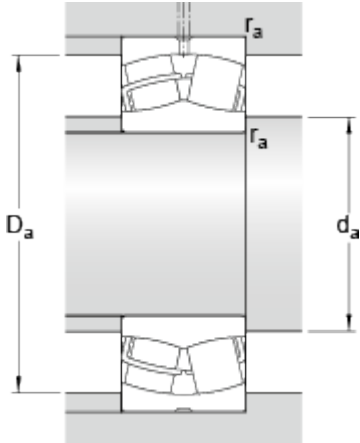
SKF Explorer

Dimensions



d	60	mm
D	130	mm
B	31	mm
d ₂	≈ 87.8	mm
D ₁	≈ 115	mm
b	6	mm
K	3	mm
r _{1,2}	min. 2.1	mm

Abutment dimensions



d _a	min. 72	mm
D _a	max. 118	mm
r _a	max. 2	mm

Calculation data

Basic dynamic load rating	C	217	kN
Basic static load rating	C	240	kN
Fatigue load limit	P _u	26.5	kN
Reference speed		4800	r/min
Limiting speed		6300	r/min
Calculation factor	e	0.22	
Calculation factor	Y ₁	3	
Calculation factor	Y ₂	4.6	
Calculation factor	Y	2.8	

Mass

Mass bearing	2.1	kg
--------------	-----	----

