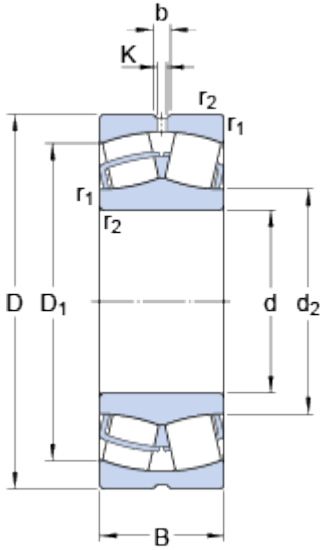


21311 E

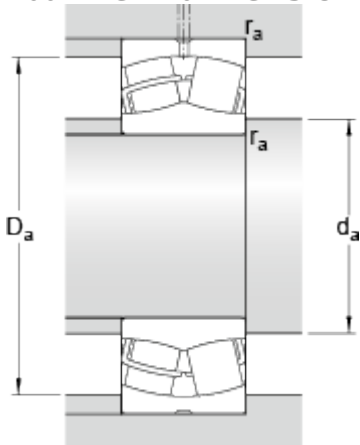
SKF Explorer

Dimensions



d		55	mm
D		120	mm
B		29	mm
d ₂	≈	72.7	mm
D ₁	≈	96.2	mm
b		6	mm
K		3	mm
r _{1,2}	min.	2	mm

Abutment dimensions



d _a	min.	66	mm
D _a	max.	109	mm
r _a	max.	2	mm

Calculation data

Basic dynamic load rating	C	159	kN
Basic static load rating	C	166	kN
Fatigue load limit	P _u	18.6	kN
Reference speed		5600	r/min
Limiting speed		7500	r/min
Calculation factor	e	0.24	
Calculation factor	Y ₁	2.8	
Calculation factor	Y ₂	4.2	
Calculation factor	Y	2.8	

Mass

Mass bearing		1.7	kg
--------------	--	-----	----

