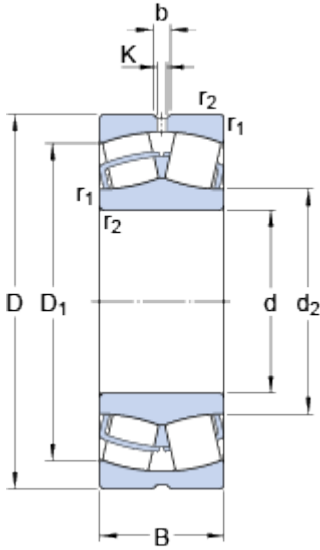


21310 E

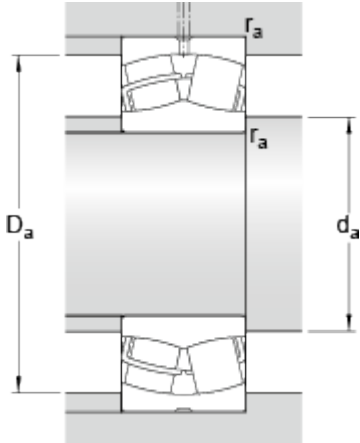
SKF Explorer

Dimensions



d	50	mm
D	110	mm
B	27	mm
d ₂	≈ 72.7	mm
D ₁	≈ 96.8	mm
b	6	mm
K	3	mm
r _{1,2}	min. 2	mm

Abutment dimensions



d _a	min.	61	mm
D _a	max.	99	mm
r _a	max.	2	mm

Calculation data

Basic dynamic load rating	C	159	kN
Basic static load rating	C	166	kN
Fatigue load limit	P _u	18.6	kN
Reference speed		5600	r/min
Limiting speed		7500	r/min
Calculation factor	e	0.24	
Calculation factor	Y ₁	2.8	
Calculation factor	Y ₂	4.2	
Calculation factor	Y	2.8	

Mass

Mass bearing	1.35	kg
--------------	------	----

