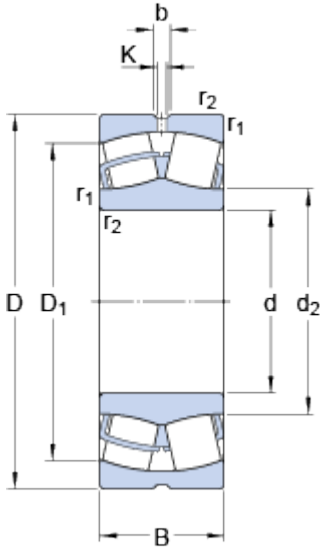


# 21308 E

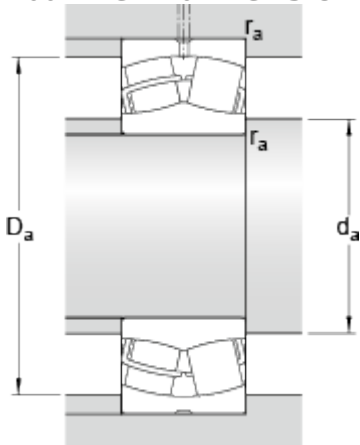
SKF Explorer

## Dimensions



d	40	mm
D	90	mm
B	23	mm
d <sub>2</sub>	≈ 60	mm
D <sub>1</sub>	≈ 79.8	mm
b	5.5	mm
K	3	mm
r <sub>1,2</sub>	min. 1.5	mm

## Abutment dimensions



d <sub>a</sub>	min. 49	mm
D <sub>a</sub>	max. 81	mm
r <sub>a</sub>	max. 1.5	mm

## Calculation data

Basic dynamic load rating	C	107	kN
Basic static load rating	C	108	kN
Fatigue load limit	P <sub>u</sub>	11.8	kN
Reference speed		7000	r/min
Limiting speed		9500	r/min
Calculation factor	e	0.24	
Calculation factor	Y <sub>1</sub>	2.8	
Calculation factor	Y <sub>2</sub>	4.2	
Calculation factor	Y	2.8	

## Mass

Mass bearing	0.75	kg
--------------	------	----

