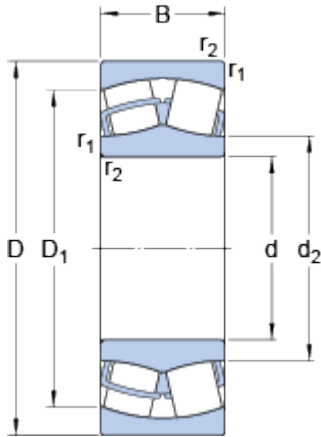


21306 CC

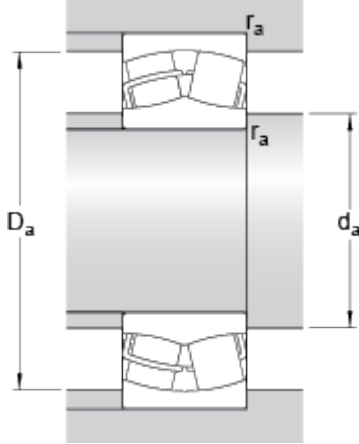
SKF Explorer

Dimensions



d		30	mm
D		72	mm
B		19	mm
d ₂	≈	43.3	mm
D ₁	≈	58.8	mm
r _{1,2}	min.	1.1	mm

Abutment dimensions



d _a	min.	37	mm
D _a	max.	65	mm
r _a	max.	1	mm

Calculation data

Basic dynamic load rating	C	65.7	kN
Basic static load rating	C	61	kN
Fatigue load limit	P _u	6.8	kN
Reference speed		8200	r/min
Limiting speed		10000	r/min
Calculation factor	e	0.27	
Calculation factor	Y ₁	2.5	
Calculation factor	Y ₂	3.7	
Calculation factor	Y	2.5	

Mass

Mass bearing		0.41	kg
--------------	--	------	----