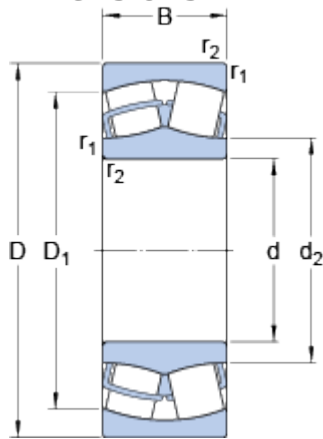


21305 CC

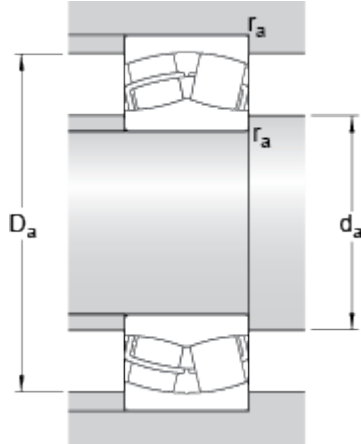
SKF Explorer

Dimensions



d	25	mm
D	62	mm
B	17	mm
d ₂	≈ 35.7	mm
D ₁	≈ 50.7	mm
r _{1,2}	min. 1.1	mm

Abutment dimensions



d _a	min. 32	mm
D _a	max. 55	mm
r _a	max. 1	mm

Calculation data

Basic dynamic load rating	C	49.1	kN
Basic static load rating	C	41.5	kN
Fatigue load limit	P _u	4.55	kN
Reference speed		9300	r/min
Limiting speed		12000	r/min
Calculation factor	e	0.3	
Calculation factor	Y ₁	2.3	
Calculation factor	Y ₂	3.4	
Calculation factor	Y	2.2	

Mass

Mass bearing	0.28	kg
--------------	------	----